

# CHARGE INLET TYPE II



## BENEFITS

- Interface complies with IEC62196
- Panel mounts to vehicle
- Integrated thermal circuit breaker to prevent abnormal temperature increase

## FEATURES

- Cover provides dust protection
- Inlet designed to drain fluids when opened
- Lock actuator positioned on the top
- Available with cover opening right or left

## APPLICATIONS

Plug-in hybrid and electric on-vehicle charge inlet (1-phase or 3-phase AC charging)

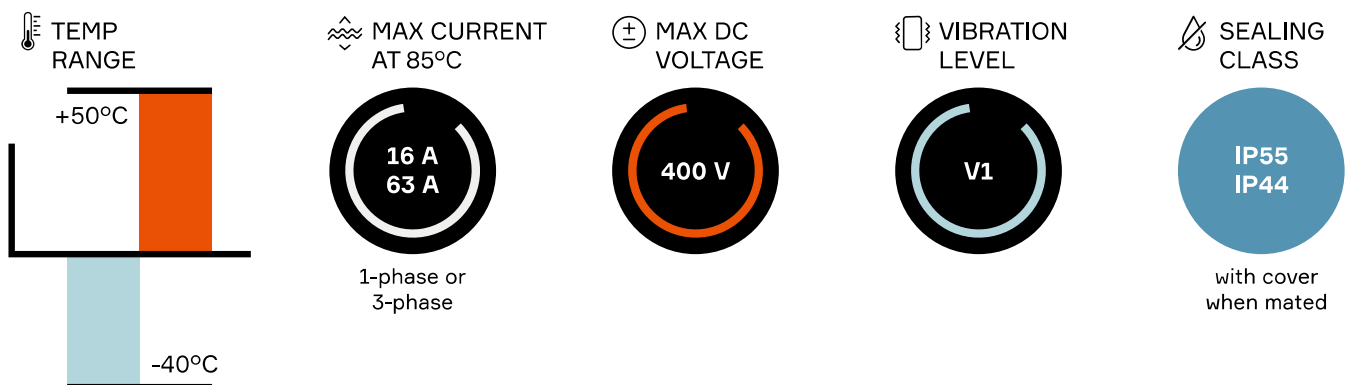
## AVAILABLE CONFIGURATIONS

Connector Type	Vehicle inlet
Cable Exit Orientation	90° (left or right)
Cable Range (mm <sup>2</sup> )	2.5 - 16 (AC)
Terminal Type	Round terminals
# of Terminals	AC: 5 Signal: 2
Shielding Type	Unshielded

## TECHNICAL CHARACTERISTICS

Mating Cycles 10 000

## PERFORMANCE



Part number	Description	BOM
33402098 33400030	Inlet sub-assy - Inlet Type II right open cover, left wire exit Rear cover, left wire exit	1
OR		
33402097 33400076	Inlet sub-assy - Inlet Type II left open cover, right wire exit Rear cover, right wire exit	1

## ASSOCIATED PARTS

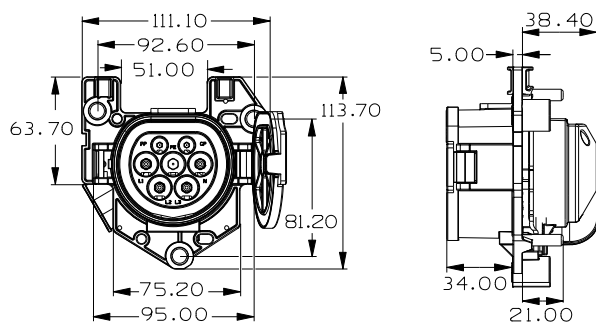
Part Number	Description	Wire section (mm <sup>2</sup> )	BOM (1-phase)	BOM (3-phase)
<b>Terminals for 16A version (1-phase)</b>				
33267394	Male terminal Ø 6 mm with cap Ag (N, L1)	2.5	2	-
33513981	Male terminal Ø 6 mm without cap Ni (PE)	2.5	1	-
33502256	Male terminal Ø 3 mm, length 13 mm (CP)	0.5	1	-
33502238	Male terminal Ø 3 mm, length 25 mm (PP)	0.5	1	-
<b>Terminals for 32A version (1-phase or 3-phase)*</b>				
33403032	Male terminal Ø 6 mm with cap Ag (N, L1, L2, L3)	6	2	4
33403033	Male terminal Ø 6 mm without cap Ag (PE)	6	1	1
33502256	Male terminal Ø 3 mm, length 13 mm (CP)	0.5	1	1
33502238	Male terminal Ø 3 mm, length 25 mm (PP)	0.5	1	1
<b>Terminals for 63A version (1-phase or 3-phase)*</b>				
33267396	Male terminal Ø 6 mm with cap Ag (L1, L2, L3, N)	16	2	3 or 4
33267394	Male terminal Ø 6 mm with cap Ag (N)	4	-	1 or 0
33267382	Male terminal Ø 6 mm without cap Ag (PE)	16	1	1
33502256	Male terminal Ø 3 mm, length 13 mm (CP)	0.5	1	1
33502238	Male terminal Ø 3 mm, length 25 mm (PP)	0.5	1	1

\* Compulsory usage of thermo sensor set

Part number	Description	BOM
<b>Grommet</b>		
33401379	Grommet	1
<b>Screw</b>		
33514388	Screw	3

Part number	Description	BOM
<b>TPA</b>		
33508692	TPA	1
<b>Thermo Sensor</b>		
33514398	Thermo sensor set	1

## DIMENSION MEASUREMENT SAMPLE



33402098