

COMBO 2 INLET



BENEFITS

- Interface complies with IEC62196
- Combined charging system for electrical vehicle
- AC/DC: slow (3-phase, 20A) / fast charge (600V, 125A)

FEATURES

- Actuator located from a top position point enabling locking connector to inlet during charging
- Wire cross section:
Contact Pin/Protect Pin (0.5 mm²),
PE (16 mm²), L1/N (4.0 mm²),
DC +/- (35 mm²)

APPLICATIONS

Plug-in hybrid and electric on-vehicle charge inlet (combined 3-phase AC and DC charging)

TECHNICAL CHARACTERISTICS

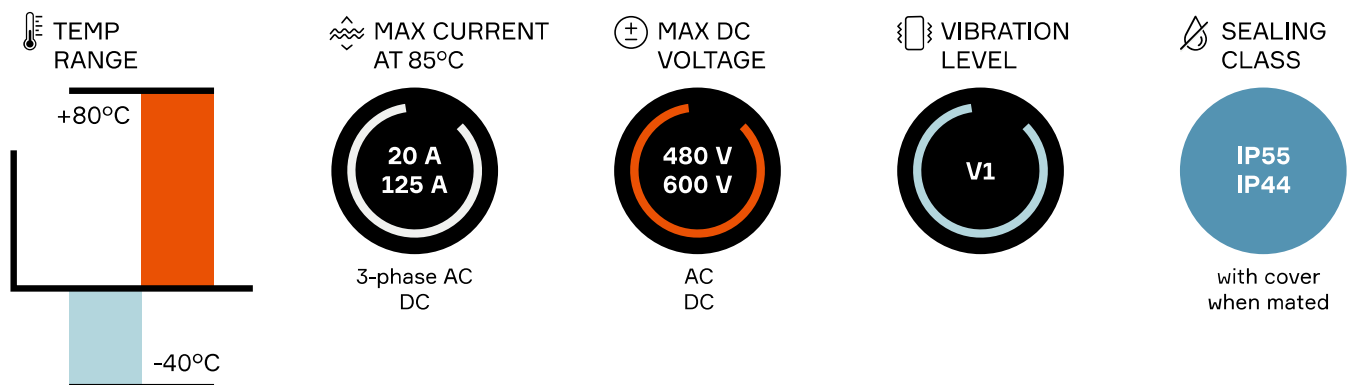
Connection/Inlet mating and unmating force < 100 N

Mating Cycles 10 000

AVAILABLE CONFIGURATIONS

Connector Type	Vehicle Inlet
Cable Exit Orientation	180°
Cable Range (mm ²)	4 (AC) 35 (DC)
Terminal Type	Round Terminals
# of Terminals	AC: 5 Signal: 2 DC: 2
Shielding Type	Unshielded

PERFORMANCE

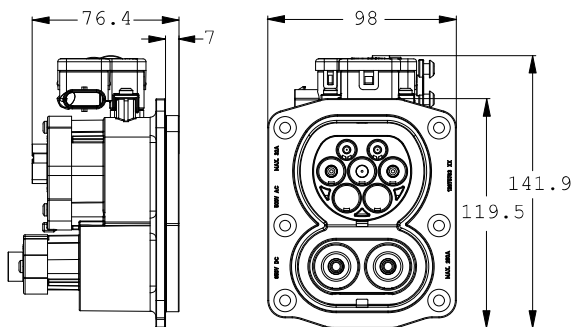


Part number	Description	BOM
33265593	Main Housing	1

ASSOCIATED PARTS

Part number	Description	BOM
Terminals		
33133795	Ø 6 mm / 4 mm ² cable cross section (AC power with protection cap)	2 or 4
15522870	Ø 6 mm / 16 mm ² cable cross section (PE/Ground)	1
33133789	Ø 3 mm (PP/Pilot)	1
33133739	Ø 3 mm (CP/Pilot)	2
Components and Accessories		
33265597	AC back cover	1
33265958	AC block seal cable (4 mm ² cable)	1
33265598	AC retainer	1
33265965	AC block seal terminal	1
33133855	DC backcover	1
33133931	DC block seal cable	1
33133859	DC retainer	1
33103899	DC O-ring	2
15532546	Screw	7
Dust Caps		
33134019	Dust caps	1
Actuator and Seals		
10808197	Actuator Combo 2	1
33133105	Block seal for actuator	1

DIMENSION MEASUREMENT SAMPLE



33265593