

COMBO 1 INLET



BENEFITS

- Interface complies with IEC62196
- Combined charging system for electrical vehicle
- AC/DC: slow (1-phase 32A) / fast charge (600V, 125A)

FEATURES

- Actuator located from a top position point enabling locking connector to inlet during charging
- Wire Cross Section:
Contact Pin/Present Pin (0.5 mm²),
PE (16 mm²), L1/N (6.0 mm²),
DC +/- (35 mm²)

APPLICATIONS

Plug-in hybrid and electric on-vehicle charge inlet (combined 1-phase AC and DC charging)

TECHNICAL CHARACTERISTICS

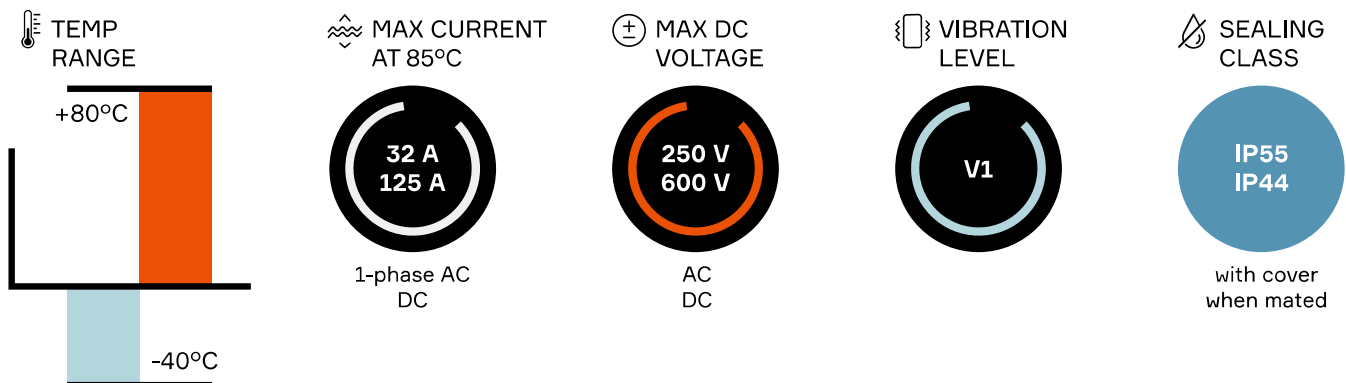
Connection/Inlet mating and unmating force < 100 N

Mating Cycles 10 000

AVAILABLE CONFIGURATIONS

Connector Type	Vehicle Inlet
Cable Exit Orientation	180°
Cable Range (mm ²)	6 (AC) 35 (DC)
Terminal Type	Round Terminals
# of Terminals	AC: 3 Signal: 2 DC: 2
Shielding Type	Unshielded

PERFORMANCE

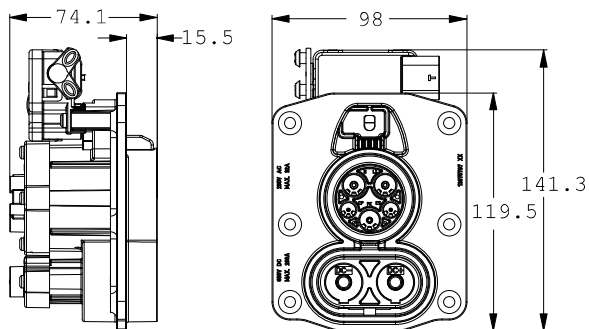


Part number	Description	BOM
33133127	Main Housing	1

ASSOCIATED PARTS

Part number	Description	BOM
Terminals		
15522876	Ø 3.6 mm / 6 mm ² cable cross section (AC power N, L1, L2 with protection cap)	2
15522875	Ø 2.8 mm / 16 mm ² cable cross section (Ground)	1
13884348	Ø 1.5 mm (Pilot)	2
15522877	Ø 8.0 mm / 35 mm ² (DC power)	2
Components and Accessories		
33133129	AC back cover	1
33133126	AC block seal cable (6 mm ² cable)	1
33133116	AC block seal terminal	1
33133128	DC back cover	1
33133115	DC block seal cable	1
33133108	DC retainer	1
33103899	DC O-ring	2
33133132	AC retainer	1
15532546	Screw	7
Dust Caps		
33133134	Dust caps	1
Actuator and Seals		
33235151	Actuator Combo 1	1
33133105	Block seal for actuator	1

DIMENSION MEASUREMENT SAMPLE



33133127